

**A fully Integrated solution tailor-made for businesses dealing with light equipment, all the way to heavy duty equipment.**

The Annata 365 Dealer Management System for heavy equipment dealerships is a modern, scalable, cloud based management solution tailor-made for businesses in the heavy equipment industry and provides the tools to transform existing business processes and embrace new opportunities through artificial intelligence, machine learning and IoT technologies

Annata's highly integrated business platform covers all industry specific needs throughout the entire lifecycle of any device and creates a customer centric approach for businesses in construction, forestry, agricultural equipment, material handling, industrial machinery, demolition and waste management



**Modernize and transform business processes**

Get a clear overview of all your business data in one place with built in predictive analytics and business intelligence to make business decisions faster than before.



**Optimized for success**

Minimize lead times, reduce delays, and improve productivity in your heavy equipment dealership.



**Connected data frameworks**

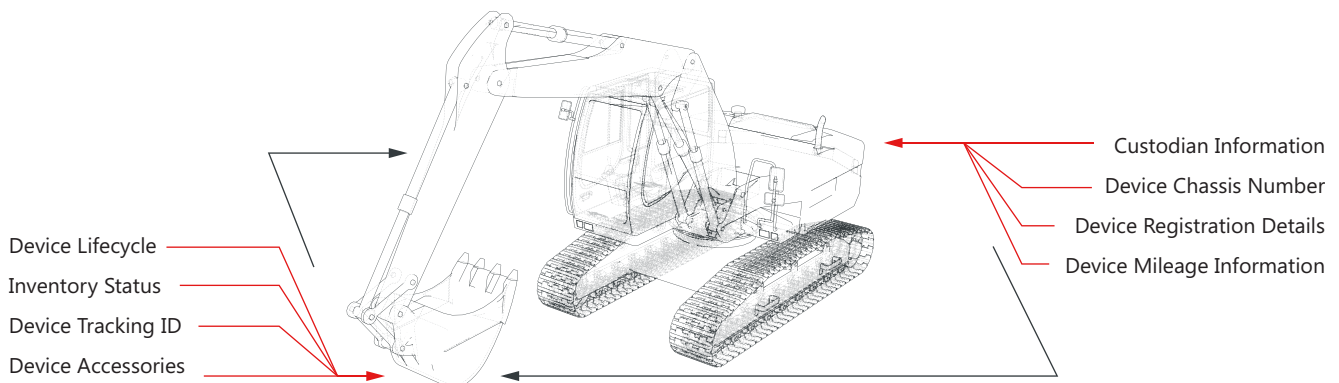
Implement industry specific expertise from organizations around the world and develop new customer-centric approaches for marketing and sales processes within the heavy equipment industry.

Annata 365 Dealer Management System Features

**Equipment Sales Components**

**QUICK, EASY & ACCESSIBLE EQUIPMENT CONFIGURATIONS & CUSTOMIZATIONS**

Accelerate sales with the ability to provide equipment customizations and upsell additional accessories for the equipments that your dealership offers during the sales process.



*Gain a complete 360° overview of each equipment in your dealership*

## MANAGE ADJUSTABLE SERVICE AND FINANCE PACKAGES YOUR CUSTOMER WILL LOVE

Service packages and finance packages are revenue booster for the dealership during the sales cycle. Specialized contract management module to handle service packages, in house financing schedule, periodic invoicing, revenue recognition, interest calculations, monitors all the service work orders, cost of materials, labors and variations in prices associated with service packages.



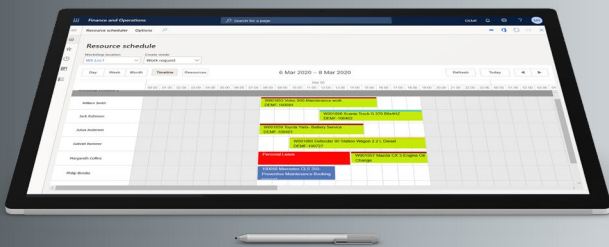
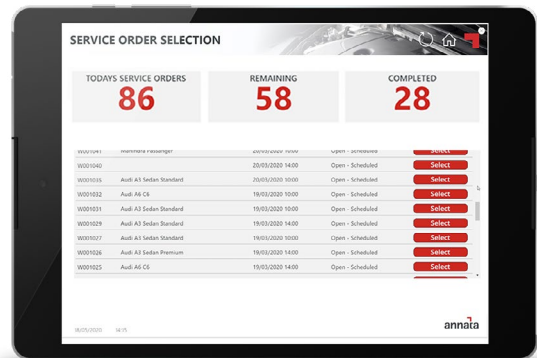
## HASSLE FREE MANAGEMENT OF WARRANTY PACKAGES

Improve the customer retention, secure loyalty, and increase dealership profit by managing and tracking standard warranties, warranty terms, warranty periods and extended warranties during both sales and after-sales process.

### Annata 365 Dealer Management System Features **Equipment After Sales Components**

## EFFECTIVE TIMESHEET MANAGEMENT

Enable service technicians to pick a service order and clock-in remotely with specialised mobile applications. Supervisors can now very precisely track all technician performance, clock-in/outs entries, working status and variations in shift timings such as standard work time, over time and premium time.



## WORKSHOP & RESOURCE SCHEDULING

Empower dealers with complete multi-dimensional view of workshops and technician capability & demand. Managers can now streamline resource management and allocate technicians quick and instantly with a simple drag and drop.

## EASY UPDATING OF MAINTENANCE PLANS AND SERVICE RECALLS

Streamline and automate processes for equipment recalls and maintenance schedules. Improve the customer awareness on upcoming service and recall by automatically triggering personalized e-mail / text notifications.

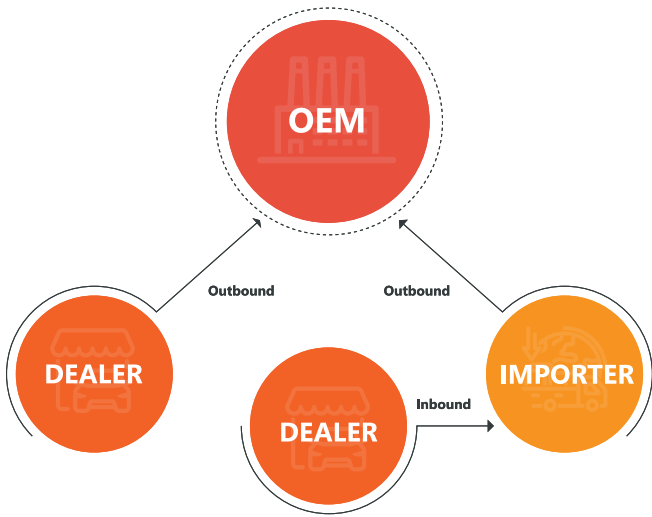
*"According to the research, more than 50% of customers rely on notifications from dealership for awareness on upcoming service and recall needs"*  
- Cox Automotive study 2016





## OPTIMIZE THE WARRANTY CLAIM PROCESS WITH INDUSTRIES BEST PRACTICE AND FEATURES

- Automatic validation of warranty claims with early warnings on incorrect claim data. This greatly reduces or eliminates the warranty claim rejection rate.
- Facilitates submission, pre-authorization, processing, monitoring, rejection, and revision of warranty claims.
- Handles multiple types of claims including PDI, Goodwill, OEM, Recall campaigns etc.
- Warranty solution is deep and highly flexible to handle claims for both dealers and importers.
- Take care of reverse logistics including RMA, Parts tracking, and dispositions.
- Easily integrates with other modules and empowers independent dealers with fully integrated web-based dealer portal.



### Annata 365 Dealer Management System Features

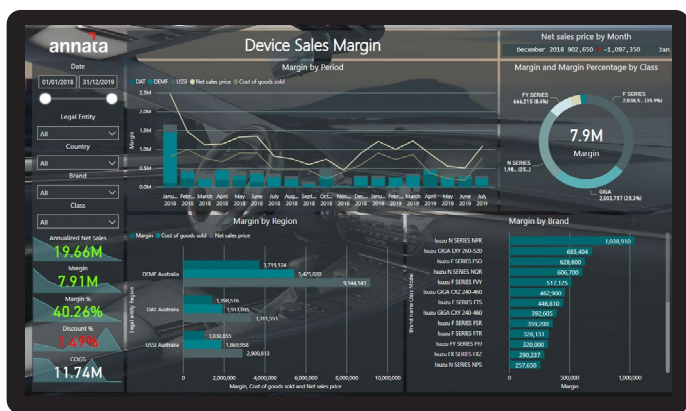
## Equipment Rental Components

DIGITALLY TRANSFORM YOUR BUSINESS BY LEVERAGING ON THE DATA TO MAXIMIZE YOUR RENTAL OPERATIONS

Annata 365 Dealer Management System provides tools for your rental operation to run seamlessly and efficiently.



Case study --Brimborg, an Icelandic company, is a sample of a dynamic and flexible business. In the financial crash 2008/2009, they experienced over 90% drop in vehicle sales. By partnering with Annata they turned a big portion of their business into the rental business, utilizing their new and used vehicle stock. They are now one of the largest rental company in Iceland with Dollar/Thrifty rental brand. When vehicle sales have picked up again, they are now larger and stronger organization than before the financial crises



HARNESS THE POWER OF YOUR BUSINESS DATA WITH ANNATA ANALYTICS

Annata Analytics enables dealers with a complete multi-dimensional view of the dealership, allowing service managers to slice, dice, drill down, analyze, interact and make ironclad decisions for successful engagements and increased customer satisfaction,



Annata consists of highly motivated professionals, who through creativity, collaboration and commitment, assists customers excel in their business. With partners in over 50 countries in all continents, Annata 365 is professionally delivered by hundreds of consultants to international and local customers.

For more information, visit our website

Contact Us  
e [annata@annata.net](mailto:annata@annata.net)

